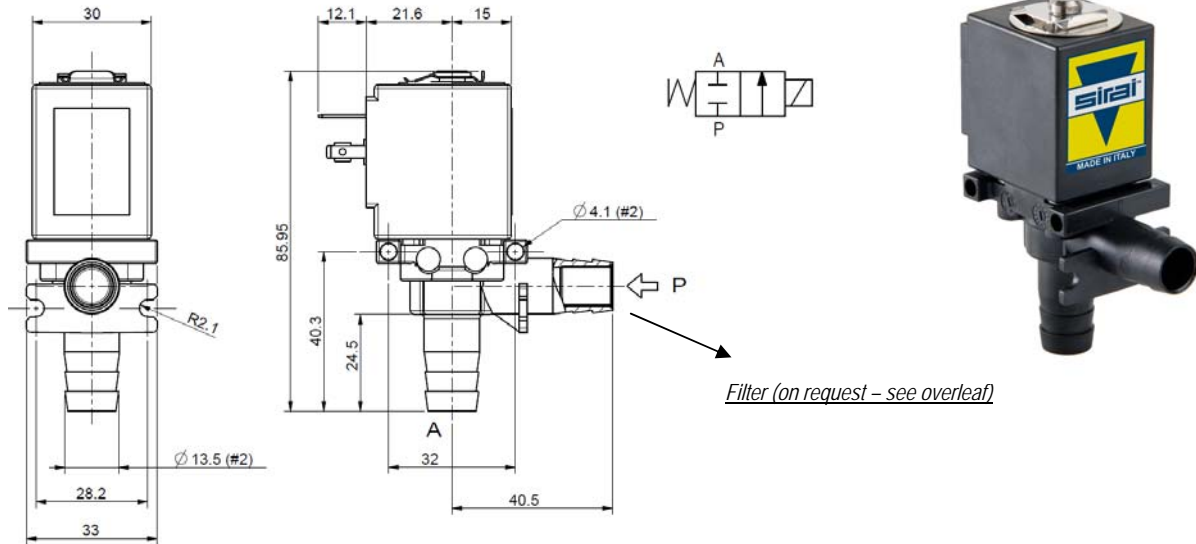




SOLENOID VALVE - DRY
2/2 - NC (Normally closed)
 Direct acting - Total isolation
 Barbed port

D136



Filter (on request – see overleaf)

► **GENERAL FEATURES**

Direct acting, total isolation solenoid valve: the actuator is totally isolated from the fluid so that the wetted parts are just the body, the diaphragm and the filter fitted on the inlet port (P) – if any. Possibility of disassembling for inspection. Particularly suitable for tanks draining. Suitable to shut off liquid fluids (verify the compatibility of fluid with materials in contact).

► **TECHNICAL FEATURES**

Maximum allowable pressure (PS) 2 bar
 Opening time ~ 40ms
 Closing time ~ 40ms
 Fluid temperature 0°C +100°C (FPM)
 -30°C +100°C (EPDM)
 Max viscosity 5°E (~37 cStokes or mm²/s)

► **MATERIALS IN CONTACT WITH FLUID**

Body PPS (Polyphenylene-sulfide) reinforced
 Sealing FPM or EPDM
 Filter (on request) Stainless steel AISI 316

► **COIL**

Approval UL (class F) – for UL cl.H: ZA34
 Continuous duty ED 100%
 Encapsulation material PPS (Polyphenylsulfure) fiberglass reinforced
 Insulation class F (155°C)
 Ambient temperature -10°C +50°C
 Electric connections DIN 46340 - 3 poles connector (EN 175301-803)
 Protection degree IP 67 (EN 60529) with plug connector
 Voltages DC 12-24V (+10% -5%)
 AC 24V/50Hz - 110V/50Hz (120V/60Hz) - 230V/50Hz (+10% -15%)
 (Other voltages and frequencies on request)

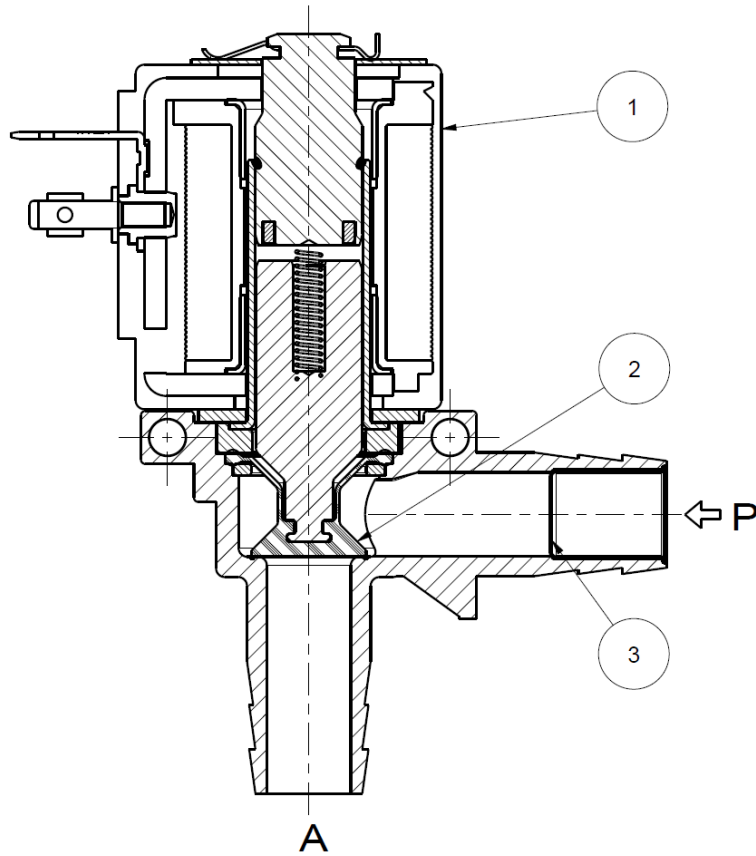
| Port | Orifice size (mm) | Differential pressure (bar) | | | | Kv (m ³ /h) | Series and type | | Power absorption | | | Sealings | Notes | Weight (kg) | |
|-------------|-------------------|-----------------------------|--------|----|---------|------------------------|-----------------|---------|------------------|---------|--------|----------|-------|-------------|----|
| | | Δp min | Δp max | | | | Valve | Coil | AC (VA) | | DC (W) | | | | |
| | | | Gases | | Liquids | | | | Inrush | Holding | | | | | |
| | | | AC | DC | AC | | | | | | | | | | DC |
| Barbed port | 9,5 | 0 | - | - | 0,5 | - | D136D01 | ZA10A | 23 | 14 | - | EPDM | - | 0,190 | |
| | | | | | - | 0,5 | | - | - | 10 | | | | | |
| | | | | | 0,5 | - | | D136V01 | ZA10A | 23 | 14 | | | | - |
| | | | | | - | 0,5 | | | ZA32K | - | - | | | | 10 |

► **NOTES**

- Sealings : FPM = Fluoro-carbon elastomer EPDM = Ethylene-propylene elastomer
- The use of filter 299554R (available on request) reduces the Kv value of 40%.
- IMQ CSV approval, see ZA10 datasheet for further details
- UL approved coil (E153691)

D136

► SPARE PARTS



Kit description

Diaphragm kit

D136V01
D136D01

Kit P.N.

G3142301
G3142302

Consisting of:

Diaphragm pos. 2

Filter (on request)

299554R

Strainer pos.3

Coil

ZA10A
ZA32K

Coil pos. 1

► MOUNTING

- Solenoid valve can be mounted in any position.
- In case of disassembling for usual maintenance, the fixing screws of the guide assembly have to be tightened with $0,6 \pm 0,7$ Nm torque.

THE VALIDITY OF REPORTED DATA IS REFERRED TO THE DATE OF ISSUE. POSSIBLE UPDATES ARE AVAILABLE ON REQUEST.