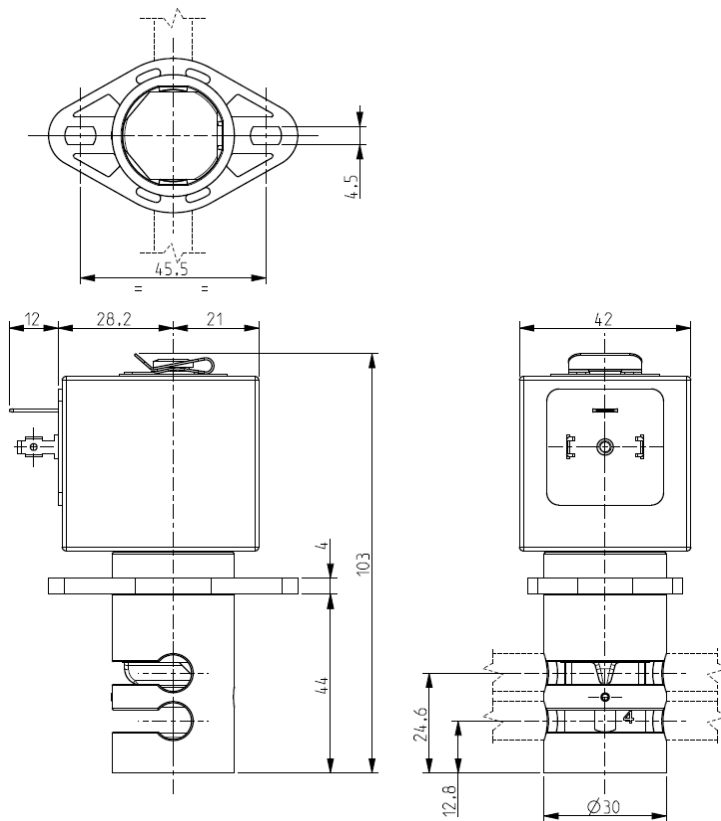




PINCH SOLENOID VALVE

3/2 – NC (Normally closed) – NO (Normally open)

S326



► GENERAL FEATURES

Pinch solenoid valve, suitable to shut off media without producing neither turbulent flows nor dead spaces.
 One tubing is normally closed (NC) while the other one is normally open (NO).
 High flow rate under the same conditions of internal diameter of different solenoid valves; the system allows a bi-directional through flow.
 The valves are suitable for soft SILICONE tubings or others, similar as to elasticity and hardness (50 shore A).
The tubing is the only material in contact with the fluid.
 The tubings are not included in our supply.

► INSTALLATION

Solenoid valve can be mounted in any position.
 Swivel bracket every 45°.

► MATERIALS

Body PA (Polyamide)
Pinching device POM (reinforced acetal copolymer)
Internal components Stainless steel
Core tube Stainless steel

► COIL

Continuous duty ED 100%
Encapsulation material PET (polybutylene terephthalate) fiberglass reinforced
Insulation class F (140 °C)
Ambient temperature -10°C +60°C
Electric connection DIN 46340 - 3 poles plug-connectors (EN175301-803)
Protection degree IP 65 (DIN 40050) with plug-connectors
Voltages DC 12-24V (+10% -5%)
 (Other voltages on request).

| TUBINGS | | Pinching strength (kg) | Series and type | | Power absorption (W) | Notes | Weight (kg) |
|-----------|-----------|------------------------|-----------------|-------|----------------------|-------|-------------|
| I.D. (mm) | O.D. (mm) | | Valve | Coil | | | |
| 6,4 | 9,5 | 1,100 | S326-01 | Z130A | 13 | - | 0,425 |

► NOTE

- In case the tubing is not placed in its seat, the solenoid valve could operate incorrectly.

THE VALIDITY OF REPORTED DATA IS REFERRED TO THE DATE OF ISSUE. POSSIBLE UPDATES ARE AVAILABLE ON REQUEST

1304/1402