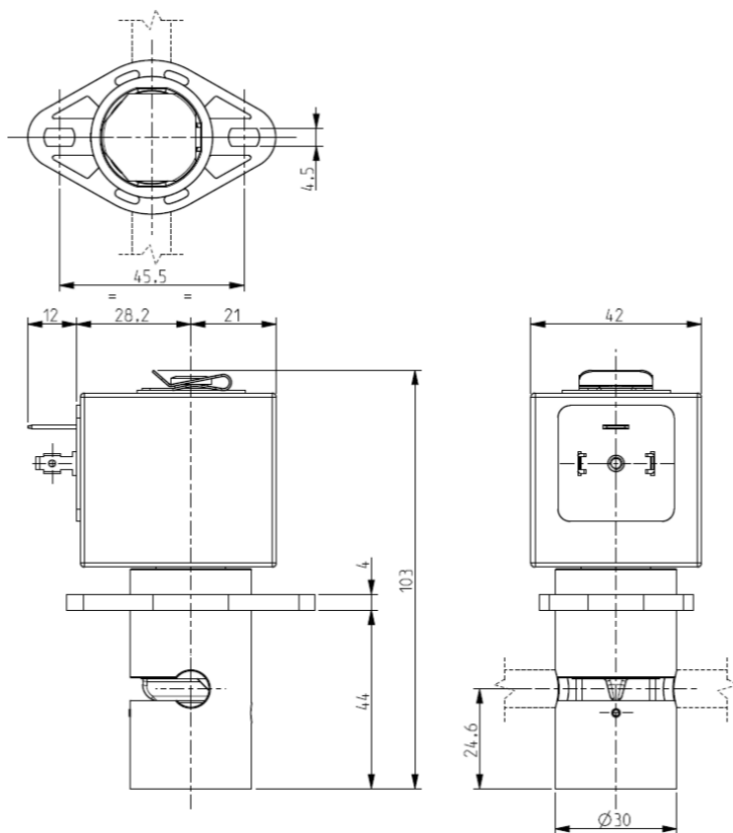




## PINCH SOLENOID VALVE 2/2 – NC (Normally closed)

S126



### ► GENERAL FEATURES

Pinch solenoid valve, suitable to shut off media without producing neither turbulent flows nor dead spaces.  
High flow rate under the same conditions of internal diameter of different solenoid valves; the system allows a bi-directional through flow.  
The valves are suitable for soft SILICONE tubings or others, similar as to elasticity and hardness (50 shore A).

**The tubing is the only material in contact with the fluid.**  
The tubings are not included in our supply.

### ► INSTALLATION

Solenoid valve can be mounted in any position.  
Swivel bracket every 45°.

### ► MATERIALS

*Body*  
*Pinching device*  
*Internal components*  
*Core tube*

PA (Polyamide)  
POM (Reinforced acetal copolymer)  
Stainless steel  
Stainless steel

### ► COIL

*Continuous duty*  
*Encapsulation material*  
*Insulation class*  
*Ambient temperature*  
*Electric connection*  
*Protection degree*  
*Voltages* DC

ED 100%  
PET (polyethylene terephthalate) fiberglass reinforced  
F (140°C)  
-10°C +60°C  
DIN 46340 - 3 poles plug-connectors (EN175301-803)  
IP 65 (DIN 40050) with plug-connectors  
12-24V (+10% -5%)  
(Other voltages on request).

TUBINGS		Pinching strength (kg)	Series and type		Power absorption (W)	Notes	Weight (kg)
I.D. (mm)	O.D. (mm)		Valve	Coil			
6,4	9,5	1,400	S126-01	Z130A	13	-	0,440

### ► NOTE

- In case the tubing is not placed in its seat, the solenoid valve could operate incorrectly.

THE VALIDITY OF REPORTED DATA IS REFERRED TO THE DATE OF ISSUE. POSSIBLE UPDATES ARE AVAILABLE ON REQUEST

1304/1402