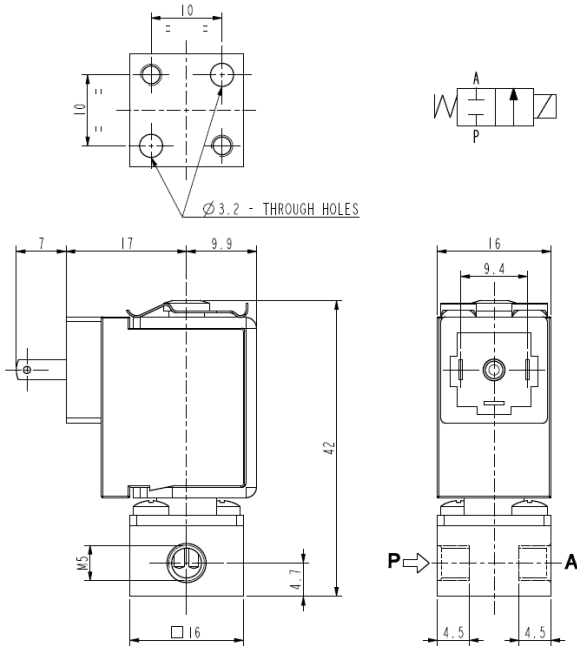




MICRO SOLENOID VALVE
2/2 - NC (Normally closed)
Direct acting
M5

V165v



► **GENERAL FEATURES**

Direct acting micro solenoid valve; minimum overall dimensions.
 Quick response time and high number of cycles.
 Suitable to shut off liquid and gaseous fluids (verify the compatibility of fluid with materials in contact).

► **TECHNICAL FEATURES**

Maximum allowable pressure (PS) 16 bar
Opening time from ~5ms to ~10ms
Closing time from ~5ms to ~10ms
Fluid temperature 0°C +130°C
Max viscosity 3°E (~22 cStokes or mm²/s)

► **MATERIALS IN CONTACT WITH FLUID**

Body See notes
Sealing FPM
Internal components Stainless steel
Seat See notes
Core tube Stainless steel

► **COIL**

Continuous duty ED 100%
Encapsulation material PA (Polyamide) fiberglass reinforced
Insulation class F (155°C)
Ambient temperature -10°C +60°C
Electric connections DIN 46340
Protection degree IP 65 (EN 60529) with micro plug connector
Voltages DC 12-24V (+10% -5%)
 (Other voltages on request)

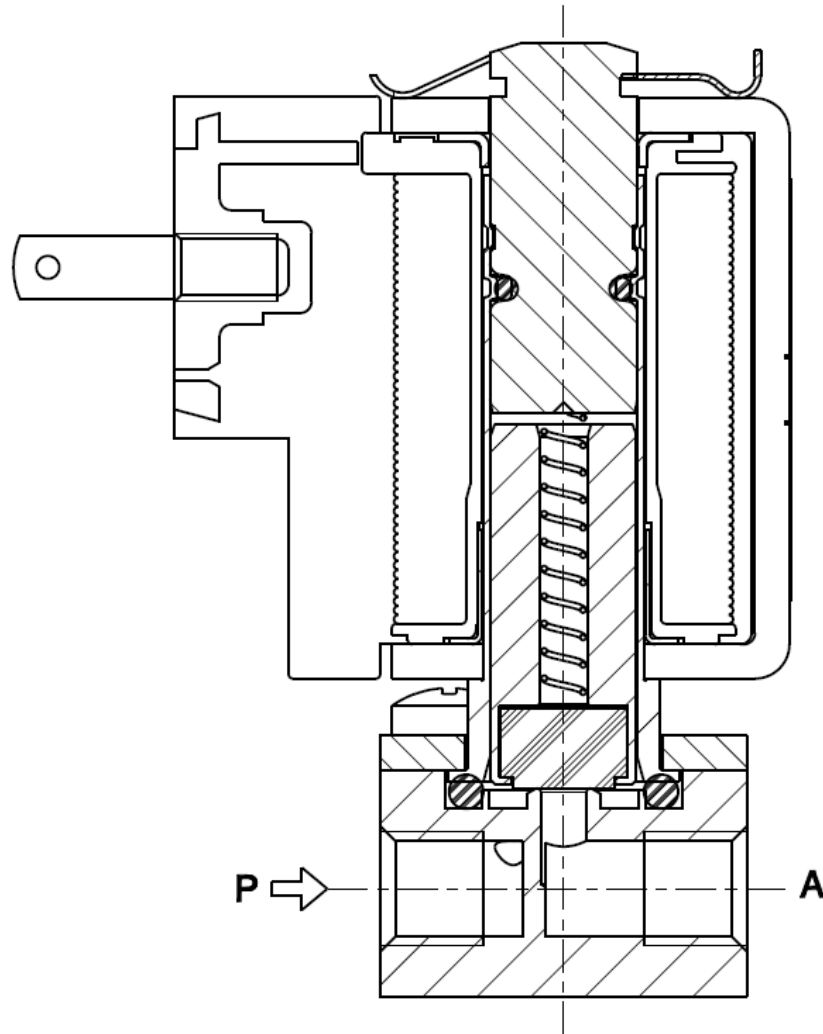
Port size ISO-UNI 4534	Orifice size (mm)	Differential pressure (bar)				Kv (m ³ /h)	Series and type		Power absorption			Sealings	Notes	Weight (kg)
		Δp max					Valve	Coil	AC. (VA)		DC. (W)			
		Gases		Liquids					Inrush	Holding				
Δp min	AC	DC	AC	DC										
M5	1,1	-	10	-	10	0,04	V165V05	ZE30C	-	-	2,5	FPM	1 - 2	0,060
	1,6	-	6	-	6	0,06	V165V06	ZE30A	-	-	4		4	
	1,8	-	4	-	4	0,07	V165V01	ZE30A	-	-	4		3	
		-	4	-	4		V165V04	ZE30C	-	-	2,5		1	
													1 - 2	

► **NOTES**

- These micro-solenoid valves are not suitable for stagnating media subject to vaporization which deposit solid, calcareous, incrusting residues or similar.
- Seal: FPM = Fluoro-carbon elastomer
- 1 - Solenoid valves with body, seat, and bonnet in chemically nickel coated brass (Ni-P).
- 2 - Solenoid valves with core coated by PTFE (polytetrafluorethylene).
- 3 - Solenoid valves with body, seat and flange in brass.
- 4 - Solenoid valves with body and seat in stainless steel; bonnet in chemically nickel coated brass (Ni-P).

V165v

► SECTIONAL VIEW



► MOUNTING

Solenoid valve can be mounted in any position; vertical with coil upwards preferred.

THE VALIDITY OF REPORTED DATA IS REFERRED TO THE DATE OF ISSUE. POSSIBLE UPDATES ARE AVAILABLE ON REQUEST.