



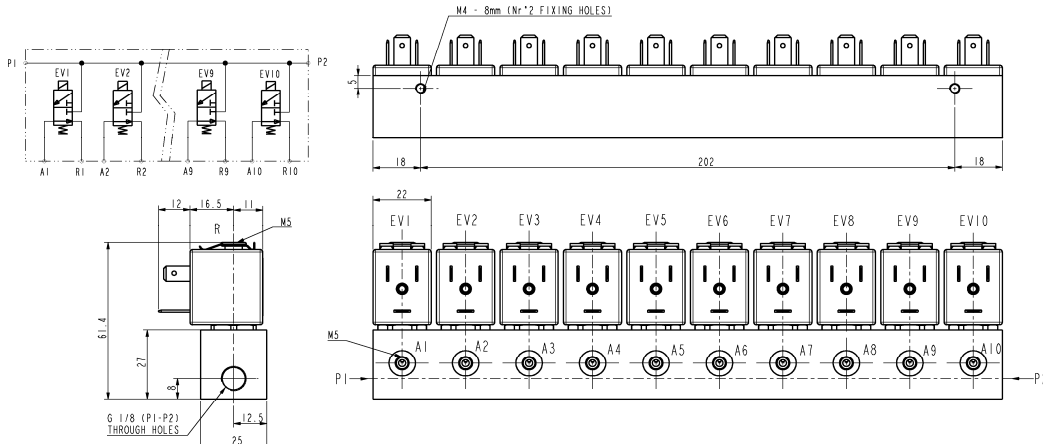
MANIFOLD WITH 2÷10 ACTUATORS

3/2- NC (Normally closed)

Direct acting

G 1/8 – M5

L872



N° of Actuators	2	3	4	5	6	7	8	9	10
A	46	70	94	118	142	166	190	214	238
B	10	34	58	82	106	130	154	178	202

► GENERAL FEATURES

Manifold with direct acting actuators.
Common inlet, separates outlets and exhausts.
From 2÷10 positions available
Suitable to shut off liquid and gaseous fluids (verify the compatibility of fluid with materials in contact).

► TECHNICAL FEATURES

Maximum allowable pressure (PS) 50bar
Opening time ~10ms
Closing time ~10ms
Fluid temperature 0°C +130°C
Max viscosity 5°E (~37 cStokes or mm²/s)

► MATERIALS IN CONTACT WITH FLUID

Body Brass
Sealing FPM
Internal components Stainless steel
Seat Brass
Guide assembly Stainless steel
Shading ring Copper

► COIL

Approval

Encapsulation material

Coil insulation class
Ambient temperature
Discontinuous duty
Electric connections

Protection degree

Voltages DC
AC

ZB10A	ZB12A	ZB14A
/	UL and CSA	UL and CSA
PA (Polyamide) fiberglass reinforced	PET (polyethylene- terephthalate) fiberglass reinforced	PET (polyethylene- terephthalate) fiberglass reinforced
F (155°C) -10°C +60°C	F (155°C) -10°C +60°C	H (180°C) -10°C +75°C
ED 50%		
DIN 46340- 3 poles connector		
IP 65	IP 67	IP 67
(EN 60529) with plug connector		
12-24V (+10% -5%)		
24V/50-60Hz - 115V/50Hz - 230V/50-60Hz (+10% -15%)		
(Other voltages and frequencies on request)		

Port size ISO 228 ----- ISO-UNI 4534	Orifice size (mm)		Differential pressure (bar)						Kv ▲ (m³/h)	N° of Actuators	Series and type		Power absorption ■				Sealings	Notes	Weight (Kg)			
			Δp min	Δp max				1↔2					1↔3		AC					DC		
				Gases		Liquids									Inrush	Holding						
				c.a.	c.c.	c.a.	c.c.									VA					VA	W
G1/8 ----- M5	1,2	1,2	0	15	15	15	15	0,05	0,05	2 3 4 5 6 7 8 9 10	L872V02C L872V03C L872V04C L872V05C L872V06C L872V07C L872V08C L872V09C L872V10C	ZB10A ZB12A	12	6	4	5,5	FPM	1	0,375 0,565 0,750 0,940 1,130 1,315 1,505 1,690 1,880			
				10	10	10	10	0,08	0,05													
	5	5		5	5	0,1	0,05															
	4	4		4	4	0,13	0,05															

▲ - Value referred to each single actuator. - ■ - Power absorption of a single coil.

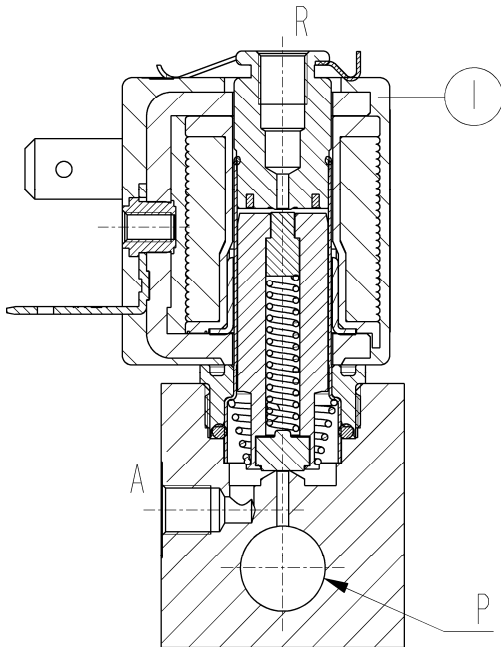
► NOTES

- Sealings: FPM =Fluoro-carbon elastomer
- On request: - sealings in EPDM (Ethylene-propylene elastomer - WRAS/KTW certified compound)
 - body valve in stainless steel AISI 316
 - body valve with special surface treatments
 - coil in class H (ZB14A – see § "COIL")
 - grease/oil free versions

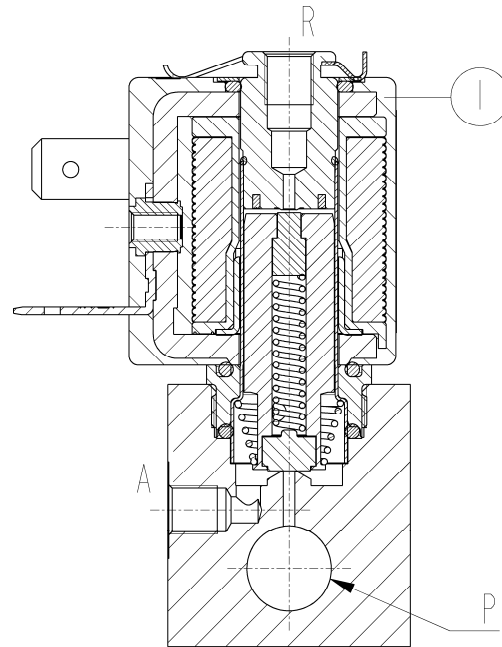
1 – ZB12 and ZB14 coils fitted with sealing gaskets underneath and on the upper part (see sectional view on the back)

► SPARE PARTS

WITH ZB10A COIL



WITH ZB12A – ZB14A



Kit description

Coil

Kit P.N.

ZB10A
ZB12A
ZB14A

Consisting of:

Coil pos.1

► MOUNTING

- Solenoid valve can be mounted in any position; vertical with coil upwards preferred.