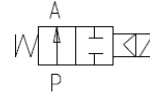
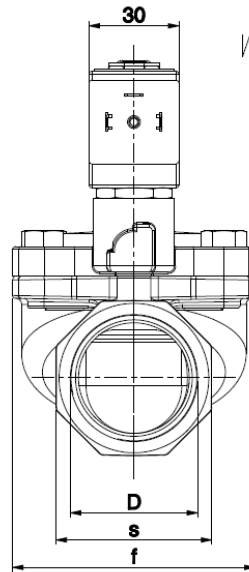
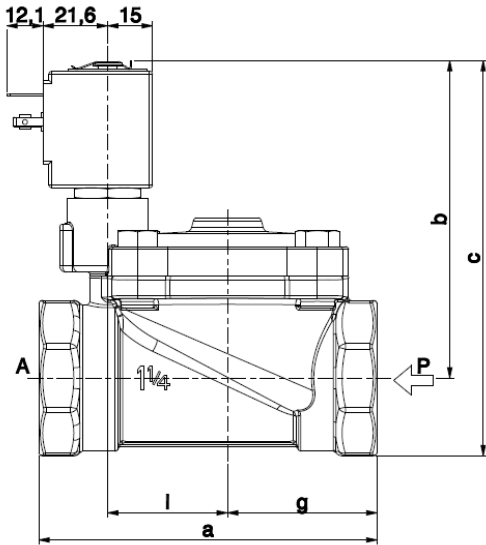




SOLENOID VALVE
2/2 - NO (Normally open)
 Pilot operated
G1 ¼ ÷ 2

L282D-BIG

G 1" ¼ ÷ 2"



	D	a	b	c	f	g	l	s
G 1 ¼	113	106	132	81	50	40	52	
G 1 ½	140	110	140	110	64	53	60	
G 2	157	114	150	110	72	53	72	

► **GENERAL FEATURES**

Diaphragm valve, pilot operated, having full orifice.
 Suitable to shut off liquid and gaseous fluids (verify the compatibility of fluid with materials in contact).
 Not suitable for use with dangerous fluids listed in Group 1, therefore they are free from CE marking in conformity with article 3 § 3 of the European Directive 97/23/EC (Pressure Equipment Directive).
 WRAS certified solenoid valves (certificate n. 1411048).

► **TECHNICAL FEATURES**

Maximum allowable pressure (PS) 10 bar
 Opening time from ~300ms to ~1500ms
 Closing time from ~1000ms to ~2000ms
 Fluid temperature -10°C +85°C
 Max viscosity 5°E (~37 cStokes or mm²/s)

► **MATERIALS IN CONTACT WITH FLUID**

Body Brass
 Sealing EPDM
 Internal components Brass and stainless steel
 Seat Brass
 Guide assembly Stainless steel
 Shading ring Copper

► **COIL**

Approval UL (class F) – for UL cl.H: ZA34
 Continuous duty ED 100%
 Encapsulation material PPS (Polyphenylsulfure) fiberglass reinforced
 Coil insulation class F (155°C) on request class H (180°C)
 Ambient temperature -10°C +50°C
 Electric connection DIN 46340 - 3 poles connector (EN175301-803)
 Protection degree IP 67 (EN 60529) with plug connector
 Voltages DC **ZA10A:** 12-24V (+10% -5%)
 AC **ZA10YE:** 24V/50Hz - 110V/50Hz (120V/60Hz) - 230V/50Hz (+10% -15%)
 (Other voltages and frequencies on request)

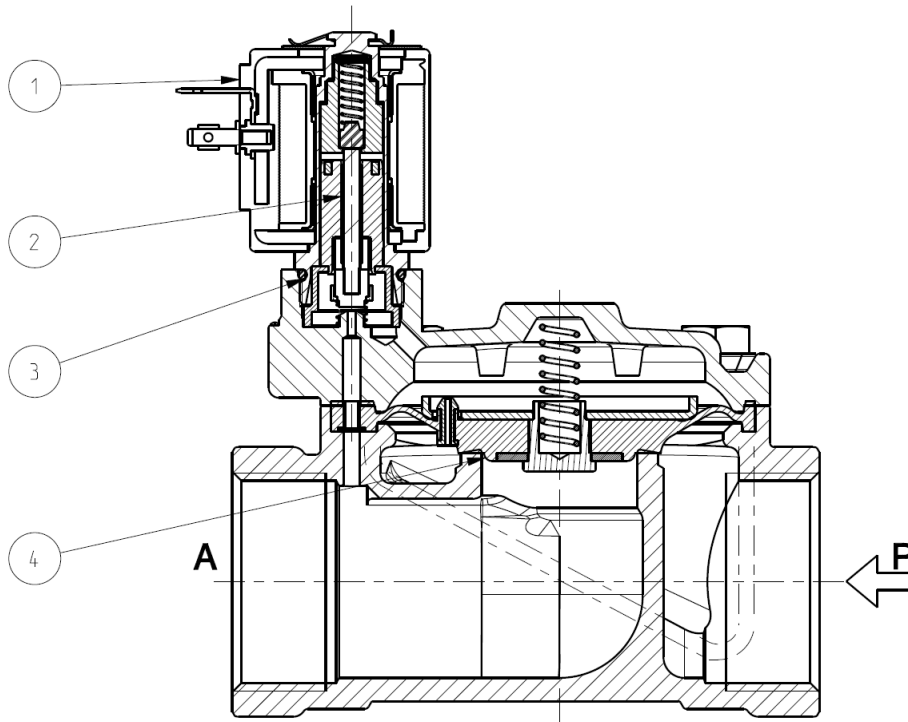
Port size ISO 228	Orifice size (mm)	Differential pressure (bar)				Kv (m³/h)	Series and type		Power absorption			Sealings	Notes	Weight (kg)	
		Δp min	Δp max				Valve	Coil	AC (VA)		DC (W)				
			Gases		Liquids				Inrush	Holding					
			AC	DC	AC										DC
G 1 ¼	30	0,50	10	-	10	-	L282D48	ZA10Y	28	20	-	EPDM	-	1,590	
G 1 ½	45		9	-	9	-								2,510	
G 2	45		-	10	-	10								15	2,990
G 1 ¼	30		-	10	-	10		15	1,590						
G 1 ½	45		-	9	-	9		27	2,510						
G 2	45		-	9	-	9		34	2,990						

► **NOTE**

- Sealings: EPDM = Ethylene-propylene elastomer
- Operation with gaseous fluids at high pressure without any outlet restriction can reduce the diaphragm life.
- UL approved coil (E153691)

L282D-BIG G 1" ¼ ÷ 2"

► SPARE PARTS



Kit description

Kit P.N.

Consisting of:

Actuator kit

438589-003R

Actuator kit pos. 2
O-Ring guide assembly pos. 3

Diaphragm assembly

G 1 ¼ 2400804R
G1 ½-2 2401305R

Diaphragm assembly pos. 4

Coil

ZA10A
ZA10Y

Coil pos. 1

► MOUNTING

Solenoid valve can be mounted in any position; vertical with coil upwards preferred.

THE VALIDITY OF REPORTED DATA IS REFERRED TO THE DATE OF ISSUE. POSSIBLE UPDATES ARE AVAILABLE ON REQUEST.