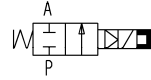
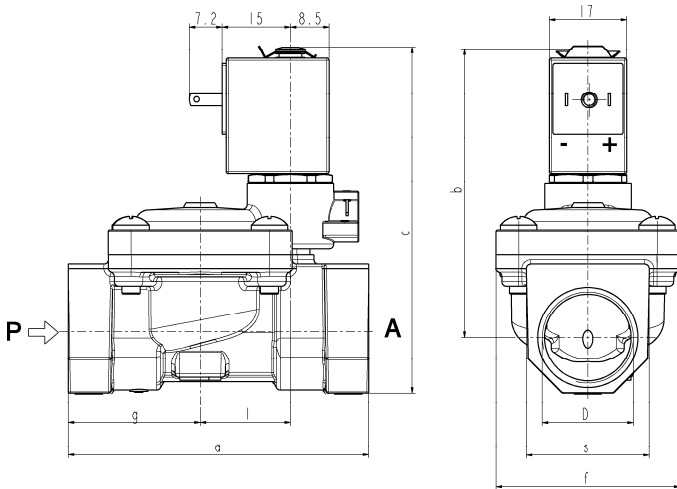




SOLENOID VALVE
2/2 - NC (Normally closed)
Pilot operated
G 3/8 ÷ G1

L182
LATCHING MODEL



D	a	b	c	f	g	l	s
G 3/8	60	60	71	40	25,5	20	22
G 1/2	66	62,5	76	40	29	20	27
G 3/4	79	66,5	83	50	35,5	24,5	33
G 1	105	79,5	100,5	71	46	28	42

► **GENERAL FEATURES**

Diaphragm valve, pilot operated, having full orifice.
 Suitable to shut off liquid and gaseous fluids (verify the compatibility of fluid with materials in contact).

► **TECHNICAL FEATURES**

Maximum allowable pressure (PS) 16 bar

Response times

Opening time (ms)

Closing time (ms)

Fluid temperature

Max viscosity

G3/8	G1/2	G3/4	G1
70	70	70	90
670	600	500	420

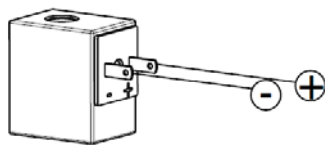
-10°C +90°C (NBR)
 -10°C +140°C (EPDM)
 5°E (~37 cStokes or mm²/s)

► **MATERIALS IN CONTACT WITH FLUID**

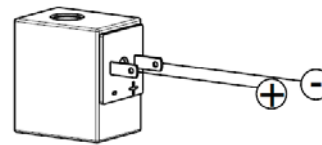
Body Brass
 Sealing NBR or EPDM
 Internal components Brass and stainless steel
 Seat Brass
 Guide assembly Stainless steel

► **COIL**

Duty Latching model, polarized type, operating with impulses
 Minimum energizing time 20ms
 Maximum energizing time 50ms
 Encapsulation material PP-V0 (self-extinguishing-polypropylene)
 Coil insulation class A (105°C)
 Ambient temperature -10°C +60°C
 Electric connections DIN 46340 - 3 poles micro plug connector
 Protection degree IP 65 (EN 60529) with micro plug connector
 Voltages DC 6-12V (+10% -10%)
 (Other voltages on request)



OPEN VALVE



CLOSED VALVE

Port size ISO 228	Orifice size (mm)	Differential pressure (bar)				Kv (m ³ /h)	Series and type		Power absorption			Sealings	Notes	Weight (kg)											
		Δp min	Δp max				Valve	Coil	AC (VA)		DC (W)														
			Gases		Liquids				Inrush	Holding															
			AC	DC	AC										DC										
G 3/8	13,5	0,35	-	8	-	8	L182D61	Z070D	-	-	2	EPDM	1	0,300											
G1/2	13,5													0,360											
G 3/4	18													0,500											
G3/8	13,5													L182B61	-	-	-	-	-	-	-	2	NBR	-	0,300
G 1/2	13,5																								0,360
G 3/4	18																								0,500
G 1	24																								1,060

► **NOTES**

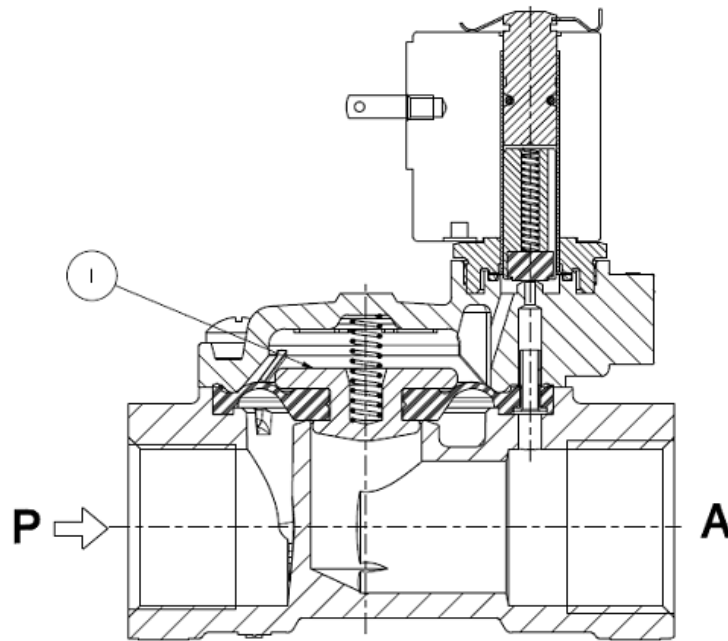
- Sealings : NBR = Nitrile-butylene elastomer. EPDM = Ethylene-propylene elastomer (WRAS/KTW certified compound)
 - The operation with gaseous media, at high pressure without any outlet restriction, can reduce the diaphragm life.

1 - WRAS certified solenoid valve (certificate n. 1411048).

L182

LATCHING MODEL

► SPARE PARTS



Kit description

Diaphragm assembly

L182D61	G3/8	2844306R
	G1/2	2844306R
	G3/4	2299708R
L182B61	G3/8	2844302R
	G1/2	2844302R
	G3/4	2299701R
	G 1	2380101R

Kit P.N.

Consisting of:

Diaphragm assembly pos. 1

► MOUNTING

- Solenoid valve can be mounted in any position; vertical with coil upwards preferred.

THE VALIDITY OF REPORTED DATA IS REFERRED TO THE DATE OF ISSUE. POSSIBLE UPDATES ARE AVAILABLE ON REQUEST.