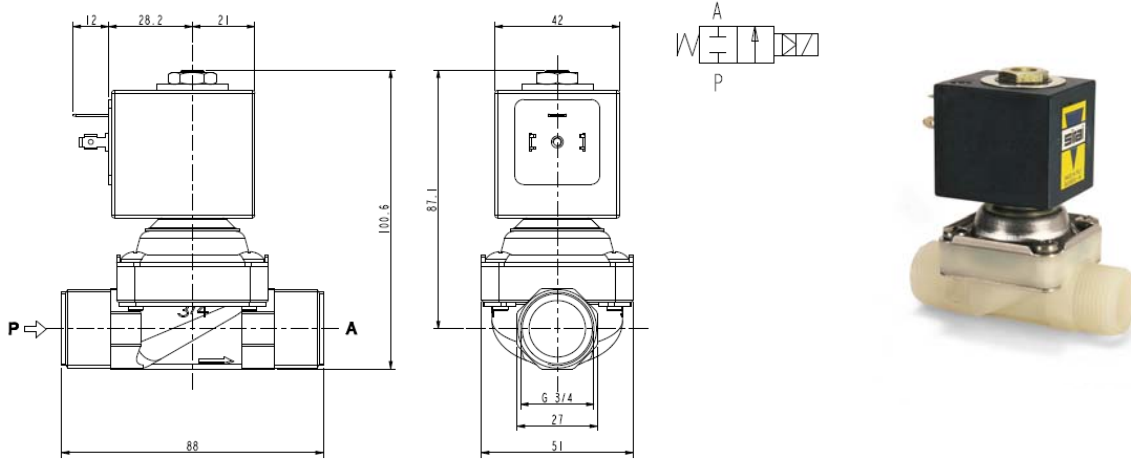




**SOLENOID VALVE**  
**2/2 - NC (Normally closed)**  
**Pilot operated**  
**G3/4**

**L131**



► **GENERAL FEATURES**

Diaphragm valve, pilot operated, having full orifice.  
 The fluid is not in contact with components either in copper or its alloys.  
 Suitable to shut off liquid and gaseous fluids (verify the compatibility of fluid with materials in contact).

► **TECHNICAL FEATURES**

*Maximum allowable pressure (PS)* 10 bar  
*Opening time* ~30ms  
*Closing time* ~50ms  
*Fluid temperature* -10°C +80°C  
*Max viscosity* 5°E (~37 cStokes or mm<sup>2</sup>/s)

► **MATERIALS IN CONTACT WITH FLUID**

*Body* PP (polypropylene) fibreglass reinforced.  
*Sealing* FPM  
*Internal components* Stainless steel and PP fibreglass reinforced  
*Seat* PP fibreglass reinforced  
*Core tube* Stainless steel  
*Shading coil* Silver plated copper (only L131V08)

► **COIL**

*Continuous duty* ED 100%  
*Encapsulation material* PET (polyethylene terephthalate) fibreglass reinforced  
*Insulation class* F (140°C) on request class H (165°C) - UL  
*Ambient temperature* -10°C +60°C  
*Electric connections* DIN 46340 - 3 poles plug connector (EN175301-803)  
*Protection degree* IP 65 (EN 60529) with plug connector  
*Voltages AC* 24V/50Hz-110V/50Hz(120V/60Hz) - 230V/50Hz (+10% -15%)  
*DC* 12-24V (+10% -15%)  
 (Other voltages and frequencies on request)

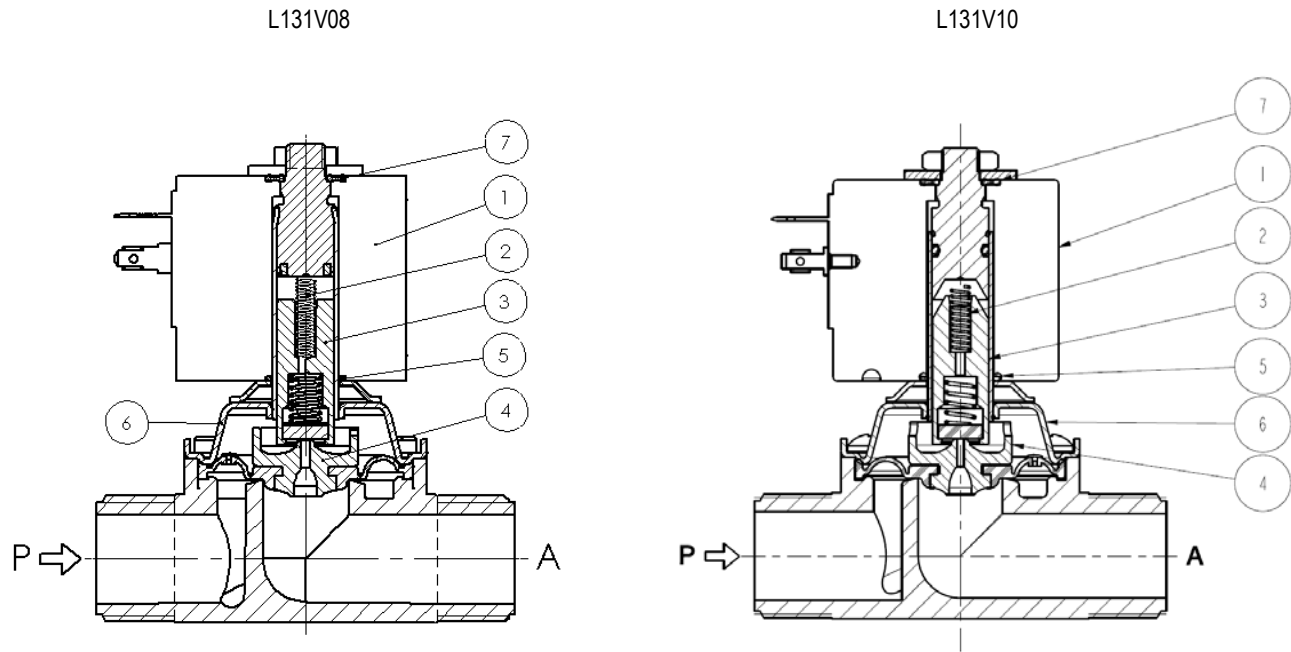
Port size ISO 228	Orifice size (mm)	Differential pressure (bar)				Kv (m <sup>3</sup> /h)	Series and type		Power absorption			Sealings	Notes	Weight (kg)	
		Δp min	Δp max				Valve	Coil	AC (VA)		DC (W)				
			Gas		Liquids				Inrush	Holding					
			AC	DC	AC										DC
G 3/4	18	0,2	6	-	6	-	4,8	L131V08	Z130A	44	24	-	FPM	-	0,470
			-	6	-	6	3,5	L131V10	Z130N	-	-	18			

► **NOTE**

- Sealings : FPM = Fluoro-carbon elastomer  
 - Continuous changes of pressure may reduce the life of the diaphragm.  
 1 - Model available on request; minimum order quantity 50 pcs.

# L131

## ► SPARE PARTS



### Kit description

### Kit P.N.

### Consisting of:

Core kit	L131V08	G3083801	Core return spring pos. 2 Core pos. 3
	L131V10	G3150401	
Core spring kit	L131V08	G2002301	N.10 core return spring pos. 2
	L131V10	G2918601	
Diaphragm assembly kit	L131V08	G3141701	Diaphragm assembly pos.4
	L131V10	G3150601	
Kit OR for coil		GU2421000015	N.10 OR for coil pos.5
Kit gasket for coil		G3067301	N.10 gaskets pos.7
Guide assembly	L131V08	298544-002R	Guide assembly pos. 6
	L131V10	298544-004R	
Coil	L131V08	Z130A	Coil pos. 1
	L131V10	Z130N	

## ► INSTALLATION

- Solenoid valve can be mounted in any position; vertical with coil upwards preferred.
- In case of disassembling for usual maintenance, the coil fixing nut has to be tightened with 5÷7 Nm torque.

THE VALIDITY OF REPORTED DATA IS REFERRED TO THE DATE OF ISSUE. POSSIBLE UPDATES ARE AVAILABLE ON REQUEST.