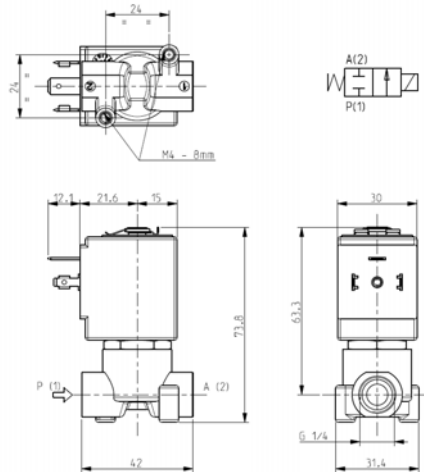




SOLENOID VALVE
2/2 - NC (Normally closed)
Direct acting
G 1/4

L121



► **GENERAL FEATURES**

Direct acting solenoid valve.
 Suitable to shut off liquid and gaseous fluids (verify the compatibility of fluid with materials in contact).

► **TECHNICAL FEATURES**

Maximum allowable pressure (PS) 40 bar
 Opening time ~20ms
 Closing time ~20ms
 Fluid temperature
 -10°C +90°C (NBR)
 0°C +130°C (FPM)
 -10°C +140°C (EPDM)
 Max viscosity 5°E (~37 cStokes or mm²/s)

► **APPROVALS**

UL (Class F) approval – for UL c.l.H: ZA34
 IMQ CSV approval, see ZA10 data sheet for further details
 Compliant with MD 174/2004 and Reg. CE 1935/2004

► **MATERIALS IN CONTACT WITH FLUID**

Body Brass
 Sealing NBR or FPM or EPDM
 Internal components Stainless steel
 Seat Brass
 Core tube Stainless steel
 Shading coil Copper

► **COIL**

Continuous duty ED 100%
 Encapsulation material PPS (Polyphenilsulfure) fiberglass reinforced
 Insulation class F (155°C) on request class H (180°C)
 Ambient temperature -10°C +50°C
 Electric connections DIN 46340 - 3 poles connectors (EN175301-803)
 Protection degree IP 67 (EN 60529) with plug connector
 Voltages DC 12-24V (+10% -5%)
 AC ZA10A: 24V/50Hz - 110V/50Hz (120V/60Hz) - 230V/50Hz (+10% -15%)
 (Other voltages and frequencies on request).



| Port size ISO 228 | Orifice size (mm) | Differential pressure (bar) | | | | Kv (m ³ /h) | Series and type | | Power absorption | | | Sealings | Notes | Weight (kg) | |
|----------------------|-------------------------|-----------------------------|---------|-----|---------|---------------------------|-----------------|---------|------------------|---------|-----------|----------|---------|----------------|-------|
| | | Δp min | Δp max | | | | Valve | Coil | AC (VA) | | DC (W) | | | | |
| | | | Gases | | Liquids | | | | Inrush | Holding | | | | | |
| | | | AC | DC | AC | | | | | | | | | | DC |
| G 1/4 | 1,6 | 0 | 30 | 30 | 30 | 30 | 0,09 | L121V02 | ZA10A | 23 | 14 | 9 | FPM | 1 | 0,290 |
| | 2,3 | | 20 | 16 | 20 | 16 | 0,15 | L121B02 | | | | | NBR | 1 - 2 | |
| | | | L121V02 | FPM | 1 | | | | | | | | | | |
| | 3,2 | | 12 | 4 | | 12 | 4 | 0,30 | | | | | L121D02 | EPDM | |
| | | | L121B02 | NBR | | | | | | | | | | | |
| | | | L121V02 | FPM | | | | | | | | | | | |
| | | - | 7 | - | 7 | L121B02 | NBR | | - | | | | | | |
| | 4,5 | 0 | 6 | 2 | 6 | 2 | 0,40 | L121V02 | ZA10G | - | - | 12 | FPM | - | |
| | | | | | | | | L121B02 | NBR | | | | | | |
| | | | | | | | | L121V02 | ZA10A | 23 | 14 | 9 | FPM | 2 | |
| | | | | | | | | L121D02 | EPDM | | | | | | |
| | | | | | | | | L121B02 | NBR | | | | | | |
| | | | | | | | | - | 3 | - | 3 | L121V02 | ZA10G | - | |
| | L121D02 | EPDM | 2 | | | | | | | | | | | | |

► **NOTES**

- Sealings : NBR = Nitrile-butylene elastomer FPM = Fluoro-carbon elastomer EPDM = Ethylene-propylene elastomer
 - IMQ CSV approval, see ZA10 datasheet for further details
 - UL approved coil (E153691)
 1 - On request special coil ZA10X, class "F", with UL approved windings - see overleaf.
 2 - Model available on request only: ask for minimum quantity.

L121

► COIL FOR SPECIAL VOLTAGES ZA10X

Approval UL (Class F); see voltages
 Continuous duty ED 100%
 Encapsulation material PPS (Polyphenilsulfure) fiberglass reinforced
 Coil insulation class F (155°C)
 Ambient temperature -10°C +50°C

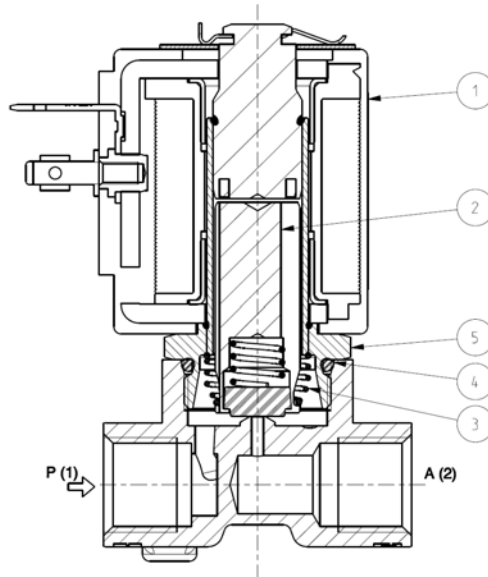
Ambient temperature DIN 46340 - 3 poles connectors (EN175301-803)
 Electric connections IP 67 (EN 60529) with plug connector
 Voltages AC 24V/50-60Hz (UL) ▪ 100V/50-60Hz ▪ 115-120V/60Hz ▪
 200V/50-60Hz ▪ 220-230V/50Hz - 208-240V/60Hz (UL) ▪
 220-240V/50Hz (UL) ▪ (+10% -15%)

| Port size ISO 228 | Orifice size (mm) | Differential pressure (bar) | | | | Kv (m ³ /h) | Series and type | | Power absorption | | | Sealings | Notes | Weight (kg) |
|----------------------|-------------------------|-----------------------------|--------|----|-------|---------------------------|-----------------|---------|------------------|---------|----|----------|-------|----------------|
| | | Δp min | Δp max | | Valve | | DC (W) | Inrush | Holding | | | | | |
| | | | Gases | | | | | | | Liquids | | | | |
| | | | AC | DC | | | | | | AC | DC | | | |
| G 1/4 | 1,6 | 0 | 30 | - | 30 | - | 0,09 | L121V02 | 23 | 14 | - | FPM | - | 0,290 |
| | 2,3 | | 16 | - | 16 | - | 0,15 | L121B02 | | | | NBR | 1 | |
| | | | | | | | | L121V02 | | | | FPM | - | |
| | | | | | | | | L121D02 | | | | EPDM | - | |
| | | | | | | | | L121B02 | | | | NBR | - | |
| | 3,2 | | 9 | - | 9 | - | 0,30 | L121V02 | | | | FPM | - | |

► NOTES

- Sealings : NBR = Nitrile-butylene elastomer FPM = Fluoro-carbon elastomer EPDM = Ethylene-propylene elastomer
 1 - Model available on request only: ask for minimum quantity.

► SPARE PARTS



Kit description

Core kit

L121B02
 L121V02
 L121D02

Kit P.N.

G3022804
 G3022803
 G3022801

Consisting of:

Core (with core return spring) pos. 2
 OR guide assembly pos. 4

Core return spring kit

G3022401

N.10 core return spring pos. 3

OR guide assembly kit

L121B02
 L121V02
 L121D02

GU2421000017
 GU2424000017
 GU2423000017

N.10 OR guide assembly pos. 4

Guide assembly kit

G31486

Guide assembly pos. 5
 Coil clip

Coil

ZA10A
 ZA10G
 ZA10X

Coil pos. 1

► MOUNTING

Solenoid valve can be mounted in any position; vertical with coil upwards preferred.