

The KYTOLA® Variable Area Flow Meter Model L is a sturdy industrial acrylic flow meter.

Model L is a reliable instrument for measuring and monitoring liquid and gas flows.



- Several flow ranges
- Scales for alternative gases and liquids
- Clear, easy-to-read scale

## FLOW METER

# L

### FEATURES

Plastic flow tube with stainless steel connections

Flow adjustment valve

### TYPICAL APPLICATIONS

Gas purging

Water purging

Liquid and gas flow measurements

### OPTIONS

Constant flow regulator

Hand knob

Viton® or EPDM seals

Model	LH	LR	LT
Max. pressure	20 bar (30 bar/+30°C)	20 bar (30 bar/+35°C)	20 bar (30 bar/+30°C)
Max. temperature	75°C	80°C	70°C
Body	Acrylic (PMMA)	Grilamid (PA-12)	Trogamid-T (PA6-3-T)
Valve		AISI 316	
Connectors		AISI 316	
Seals		Nitrile (*Viton®, EPDM)	
Connections		NPT 1/4" (*BSP 1/4")	
Accuracy		± 10% F.S. (H <sub>2</sub> O, +20°C)	
Weight		300 g	

\*) Special construction on request

Flow Tube Material		
Acrylic		H
Grilamid		R
Trogamid-T		T

Flow Range		
H <sub>2</sub> O	Air	
2 – 18 mL/min	0.1 – 0.9 NL/min	4K*
2.5 – 30 mL/min	0.1 – 1.2 NL/min	4A*
5 – 55 mL/min	0.2 – 1.8 NL/min	4B*
15 – 80 mL/min	0.5 – 2.5 NL/min	4C*
0.01 – 0.13 L/min	0.5 – 6 NL/min	5K
0.01 – 0.2 L/min	0.5 – 7 NL/min	5A
0.025 – 0.35 L/min	1 – 10 NL/min	5B
0.05 – 0.5 L/min	2 – 14 NL/min	5C
0.1 – 0.75 L/min	3 – 20 NL/min	8T
0.1 – 1 L/min	5 – 30 NL/min	8M
0.2 – 1.6 L/min	10 – 50 NL/min	8P
0.2 – 2.6 L/min	10 – 85 NL/min	8S
0.5 – 3 L/min	15 – 110 NL/min	8R

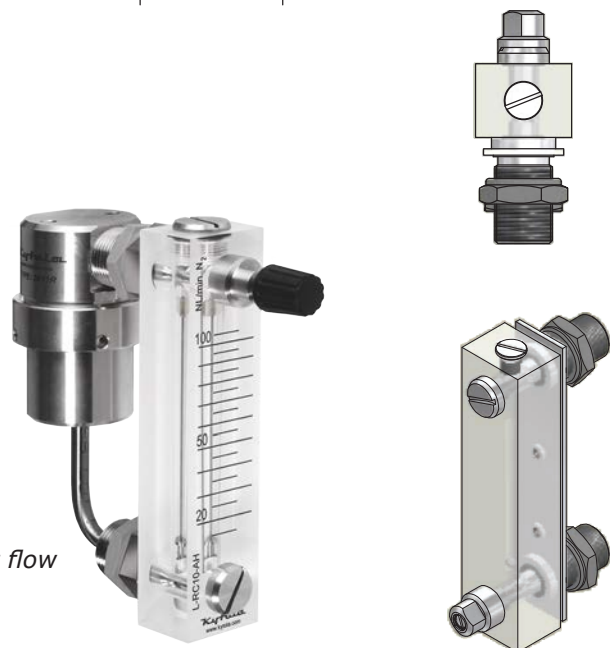
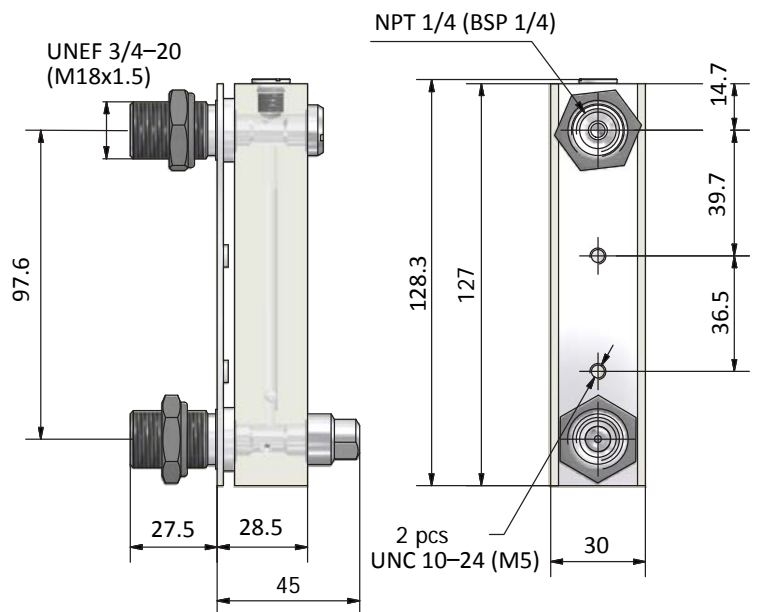
  

Scale		
H <sub>2</sub> O (m <sup>3</sup> /h) at +20°C		A
Air (Nm <sup>3</sup> /min) at +20°C/1.013 bar (abs)		R
Relative scale 1–10		D

Special Feature		
Hand knob		H
Connections NPT 1/4"		blank
Connections BSP 1/4"		R
Nitrile seals		blank
Viton® seals		V

Standard feature: leave blank  
Special feature: choose Character  
\* = Accuracy not guaranteed



Model L with constant flow regulator Model 2851